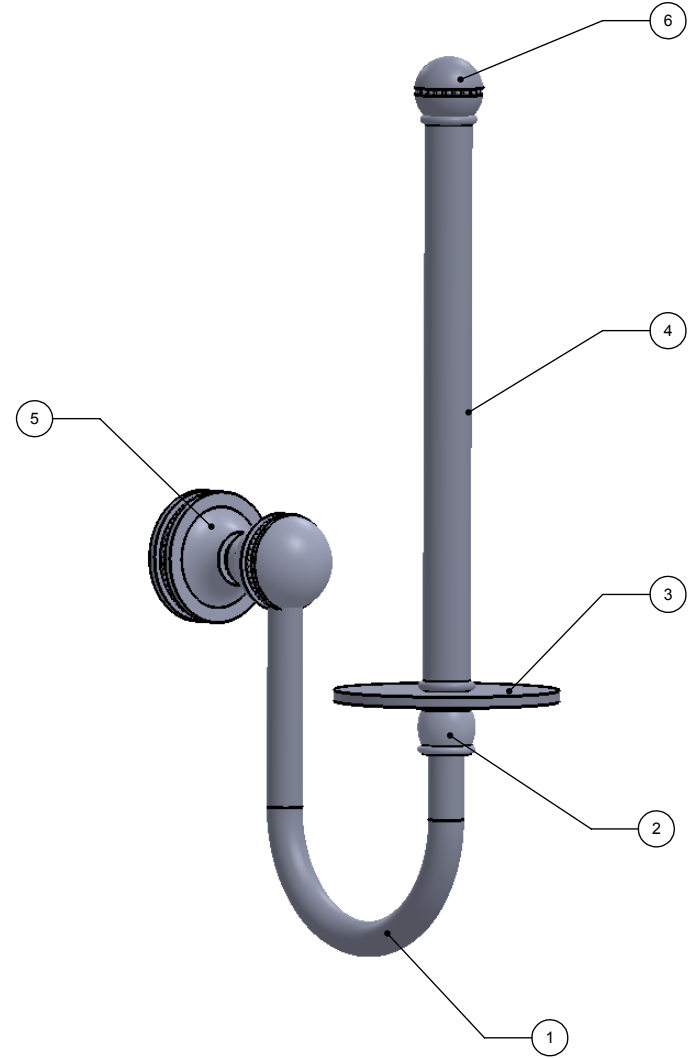
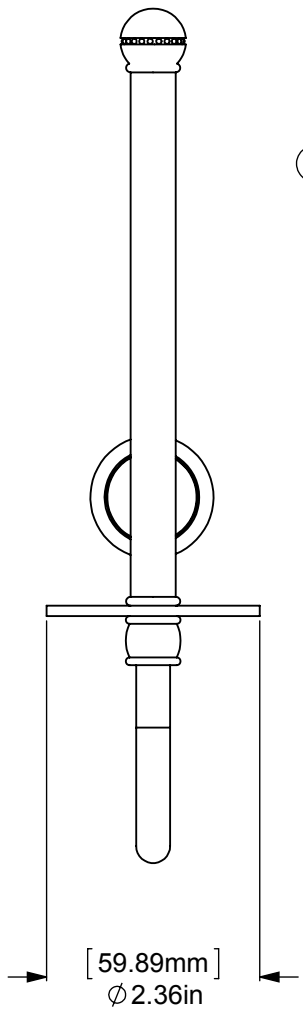
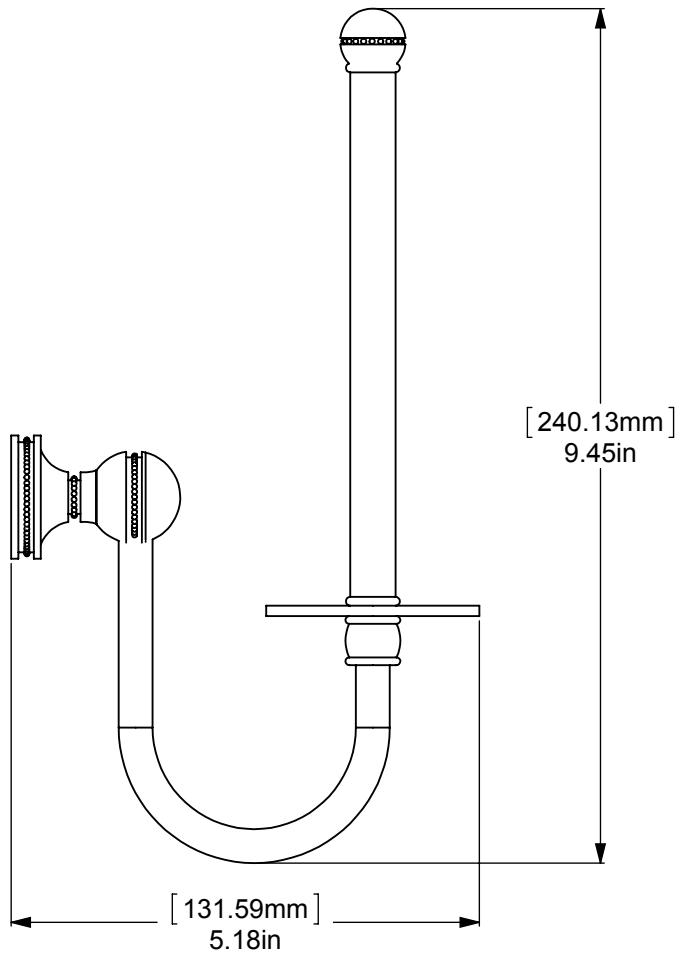


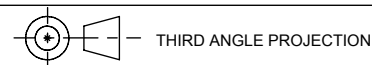
ITEM NO.	P/N	DESCRIPTION	QTY.
1	HKVT	U-PIPE	1
2	PSRD-58	SUPPORT	1
3	DSFL-2.375	DISC	1
4	TU12-6	TUBE	1
5	PSMAR	BASE	1
6	BLDT1T-34	BALL	1



UNLESS OTHERWISE STATED

.X	±.3mm
.XX	±.15mm
.XXX	±.008mm

COPYRIGHT © Allied Brass 2016



DRAWN	2-10-2016	I.M
CHECKED	2-10-2016	P.D
APPROVED	2-10-2016	R.A

MATERIAL:	BRASS
DESCRIPTION:	TISSUE HOLDER



FINISH	TBD
QUANTITY	TBD
DRAWING No.	REV
MA-24U	0
SCALE	1:2.125
SHEET: 01	A4